

1

2

3

4

5

6

A

A

B

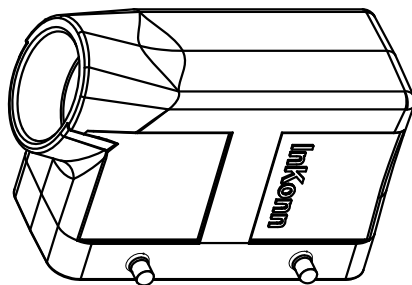
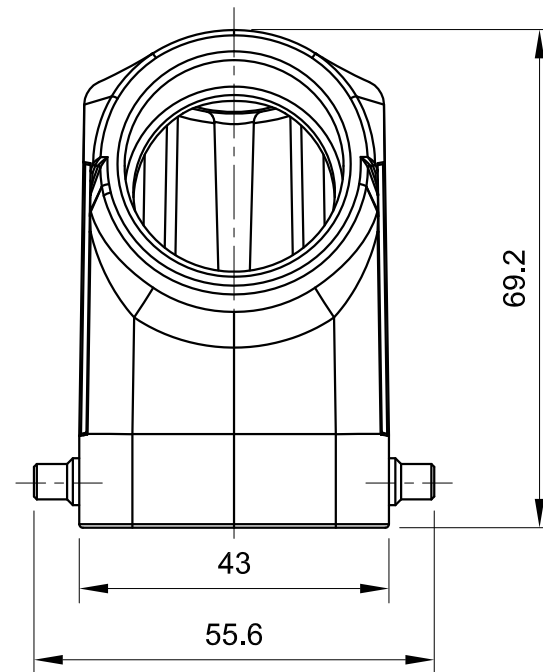
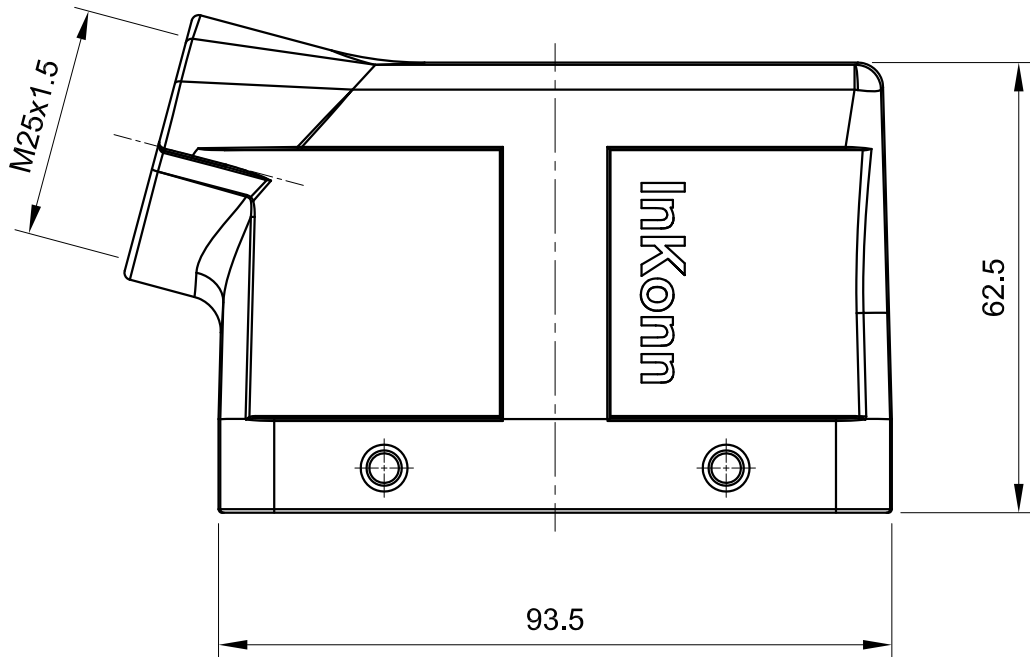
B



C

C

D

D



 All Dimensions in mm Original Size DIN A4	Date 2020-10-10	Drawing No. TC9553772	Rev. A00	Scale 1:1
	Part No. 10 12 016 0142	Created by Han Lyu	Checked by Yiyi Luo	Page 1/1
 InKonn® InKonn (Suzhou) Electric Technology Co.,Ltd.				
Type Name HMB16-SE-QP-M25				

1

2

3

4

5

6